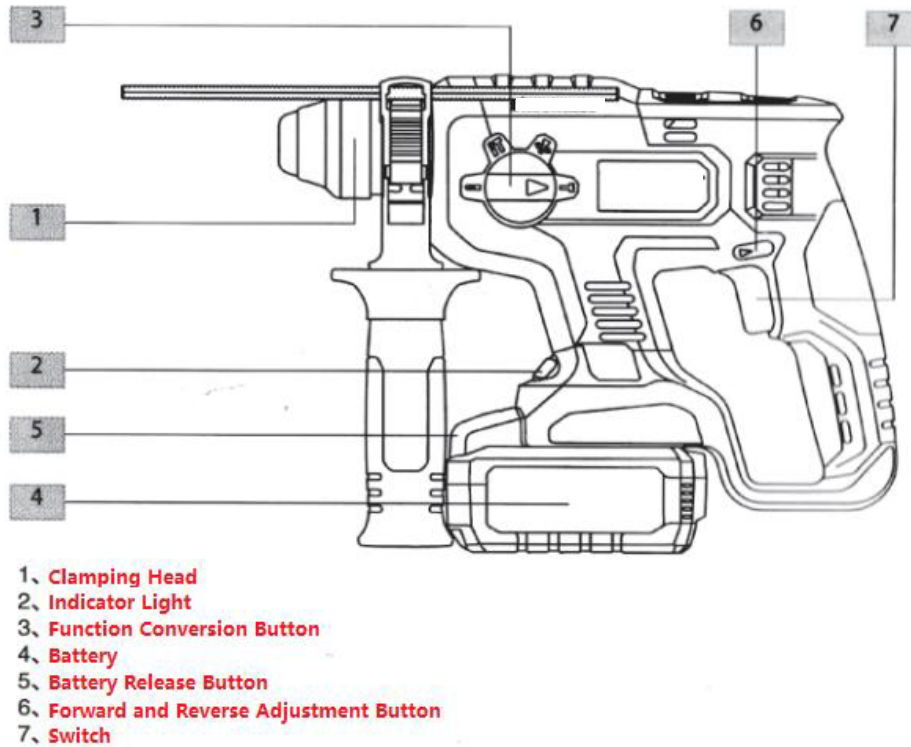


Instructions



Installation:

Our product is easy to assemble, just install the battery and drill bit to use.

1. **Install the Battery:** First, adjust the forward/reverse adjustment button (6) to the central position to prevent unintentional operation of the machine. Then, align the battery with the groove at the bottom of the machine, and finally insert the battery onto the machine.

Notice:

- For your safety, please ensure that only the batteries we provide are used.
- Please ensure that the battery is securely installed on the machine before operation.

2. Install the Drill Bit:

- (1) Clean the drill bit first before install it, and apply a small amount of grease to the end of the drill bit handle.
- (2) Rotate the drill bit and insert it into the clamping head until the sound of click can be clearly heard.
- (3) At this point, the drill bit has automatically locked. However, it is still necessary to pull the drill bit to check if it has been properly tightened.

Notice:

- For your safety, please wear hard gloves when holding or installing the drill bit to avoid hurt.
- Please note that this item does not include a drill bit, you can configure a drill bit with a diameter up to 26mm/1.02inch according to your needs.

Details:

1. Function Conversion Button: Function Conversion Button: You can switch between three functional modes of a hammer only (chiselling-only), hammer drill (hammering and rotation), and drill only (rotation only) by rotating the switch button to adapt to various working situations.

2. Forward and Reverse Adjustment Button: After the drill is blocked, you can push the reverse button to adjust the rotation direction of the rotary hammer, which can easily solve the problem of jamming.